



## **Mine Kafon Multi-Sensor**

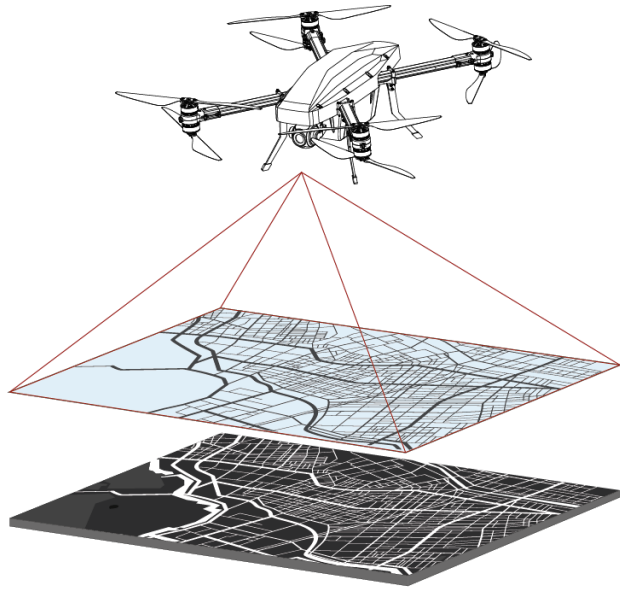
Looking forward to a landmine free world



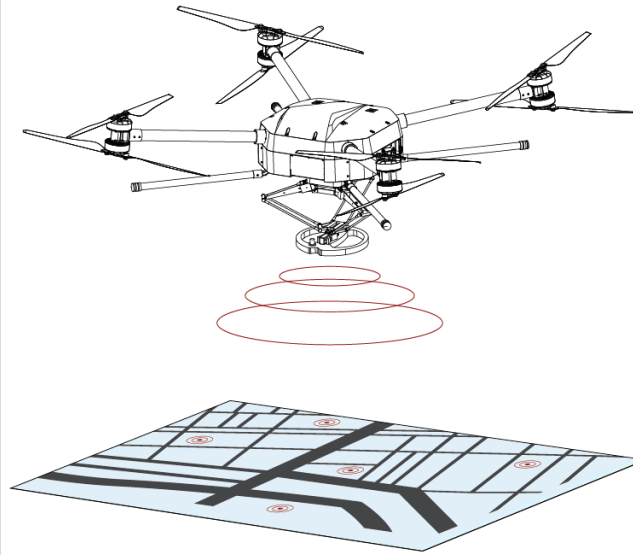
# Mine Kafon 3-Step Process



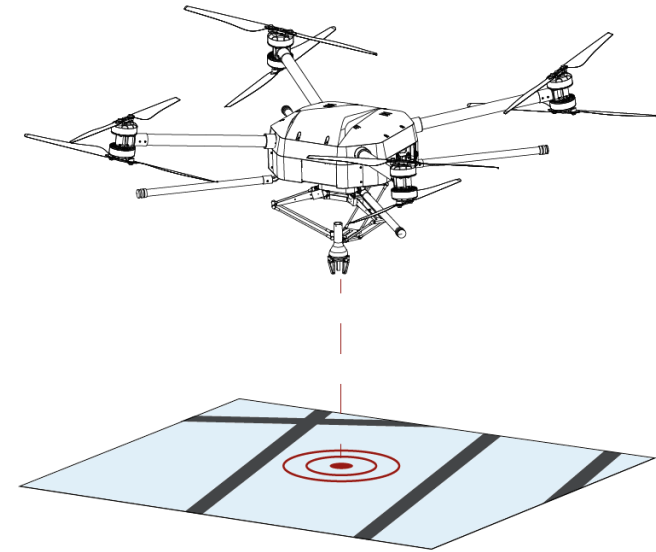
Mapping



Detection



Detonation



The Mine Kafon Airborne Demining System consists of **two drones** with two interchangeable extensions.

# Mine Kafon Mapping

## How it works

---

A crucial part of the procedure of detecting landmines is to have a 3D model image that can be achieved with the Mine Kafon drone.



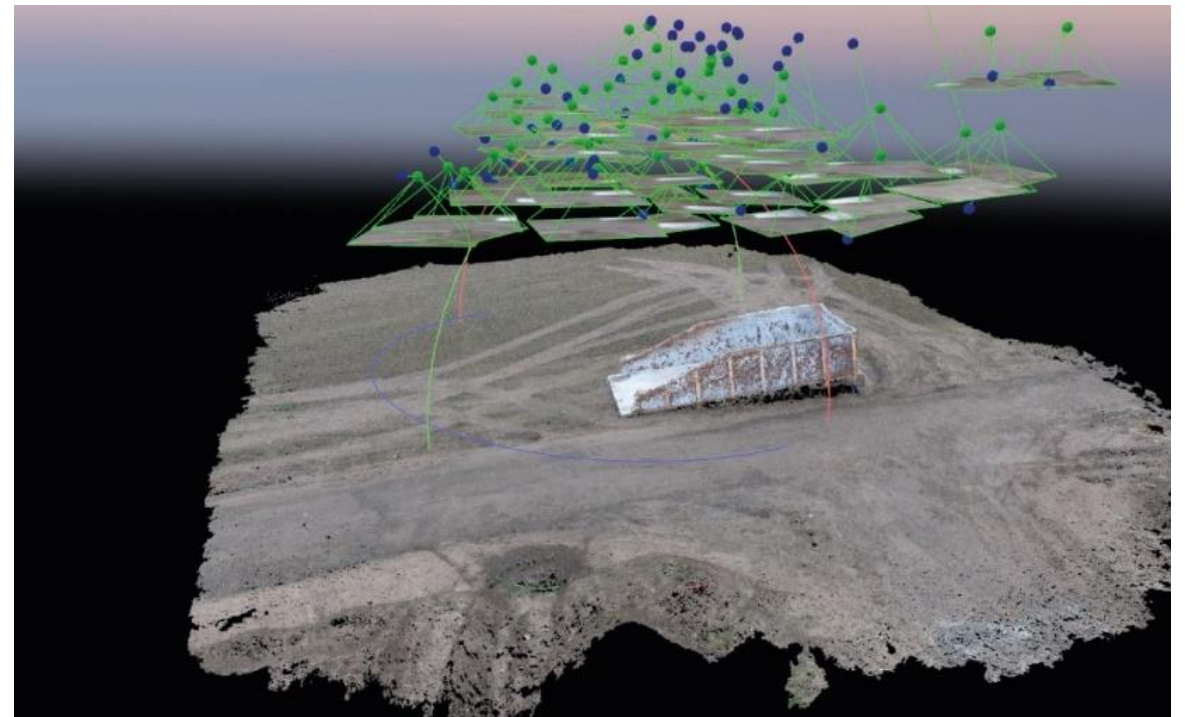
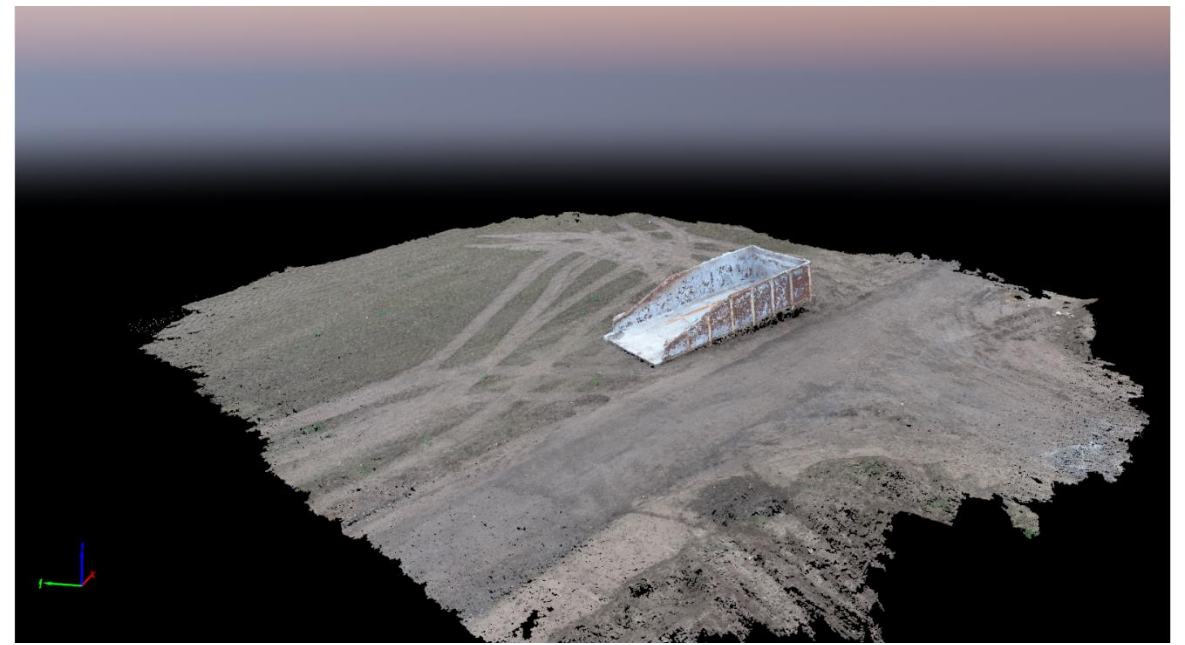
Hazardous areas are identified via live video stream.



Identified mines or crates are marked on a digital map.



A 3D map is then created using the autonomous mapping functionalities.





# Mine Kafon Multi-Sensor



- ✓ Research and exploration
- ✓ Rope Robot and Delta Robot
- ✓ Multifunctional

## How it works

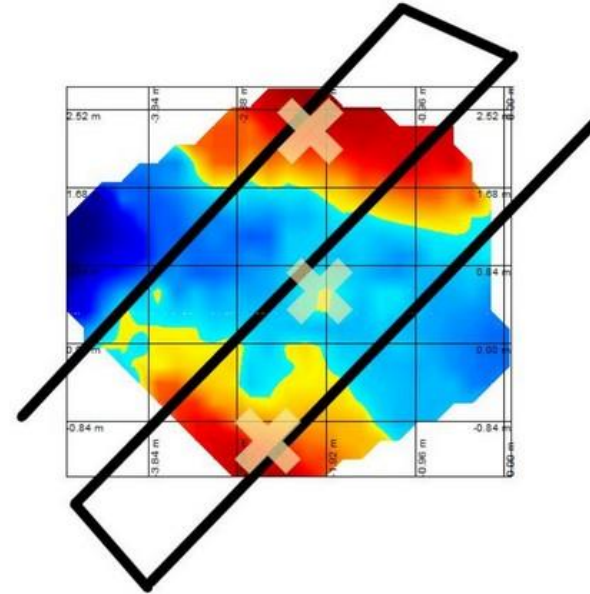
Mine Kafon offers a range of mine detecting sensors that can accurately detect any landmines, UXOs and IEDs. The sensors are adapted to fit onto the Manta, and any data retrieved from the sensors will be sent to the Ground Station for further analysis.



# Mine Kafon Detection



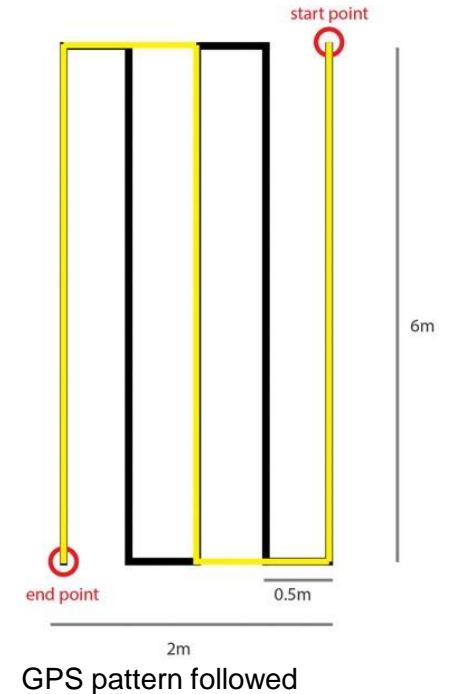
Snapshot of Mine Kafon sensor data on a real-time map



Mine Kafon sensor data on the pattern followed

## How it works

A pattern is made using Mine Kafon software, which places GPS coordinates on a map. This allows the drone to follow a pre-specified pattern to map and detect in a certain area. That area is then overlaid on the sensors outcomes, to optimise the accuracy of the results obtained.



GPS pattern followed

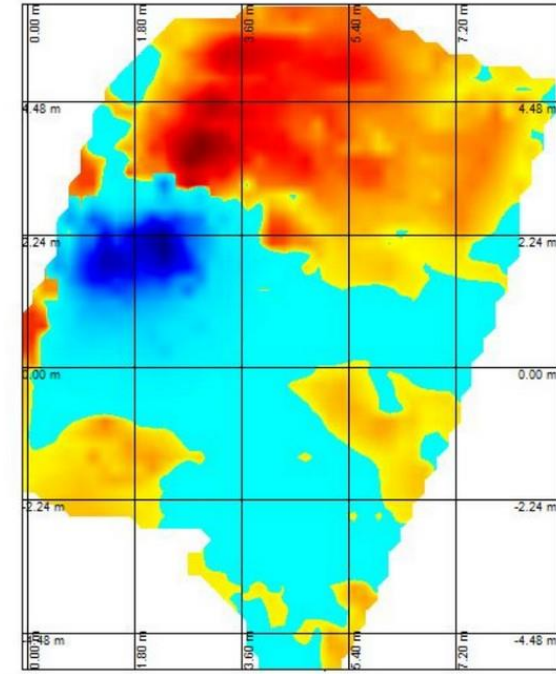
# Mine Kafon Detection



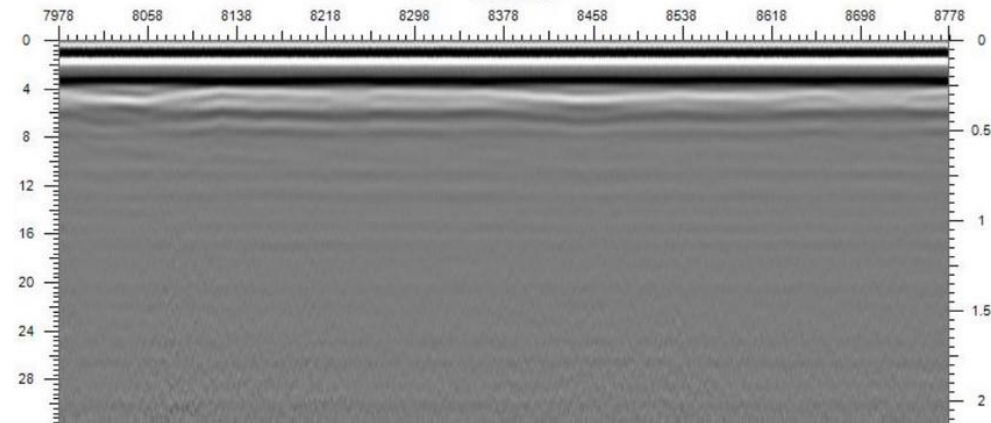
Snapshot of Mine Kafon sensor data on a real-time map

## How it works

Mine Kafon's in-house software and sensors can combine the data given by sensors onto a real time map, allowing the operator to see where any explosives might be lying. Other data can be interpreted individually based on the sensor's GPS location, allowing for more accurate readings.



Snapshot of the Mine Kafon-Sensor 2



Snapshot of the Mine Kafon-Sensor 1